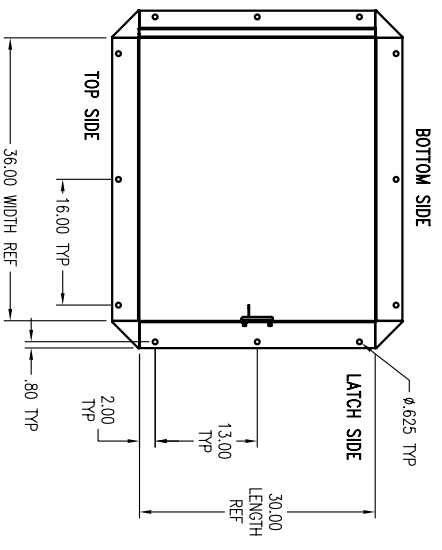
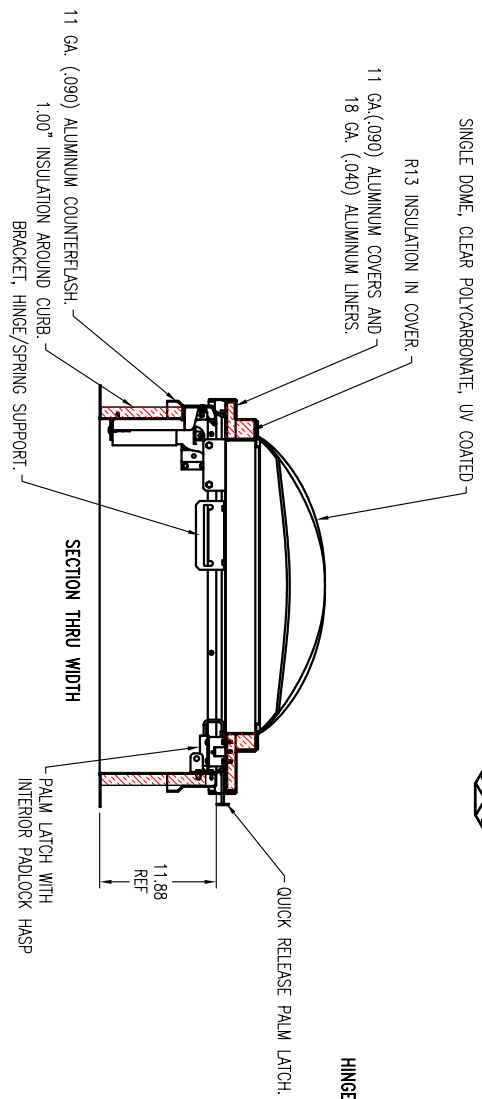
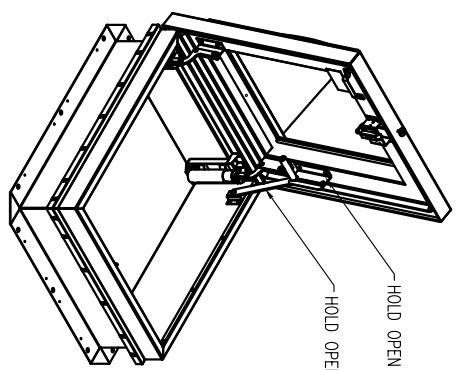
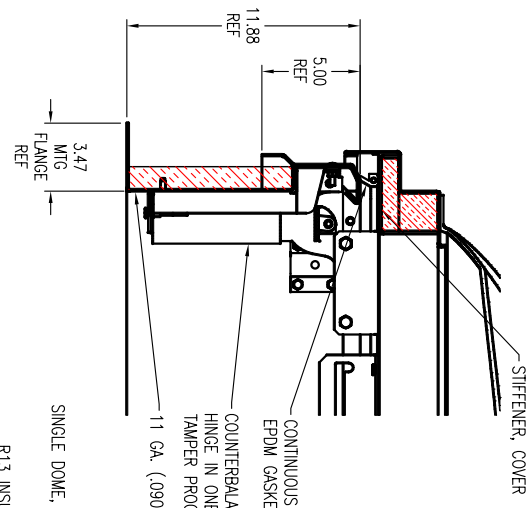


REVISIONS				
REV	ECO #	DESCRIPTION	DATE	APP.
N/A	N/A	SEE SHEET 1 FOR ECO HISTORY	N/A	N/A



# BRHA ALUMINUM ROOF HATCH, DBL DOME

**SINGLE COVER SPECIFICATIONS**

- COVER: .090 ALUMINUM (11 GA)
- COVER IS STIFFERED TO WITHSTAND MAX DEFLECTION OF 1/150 OF THE SPAN.
- INSULATION: 1 1/2\" R13 N COVER AND 1\" THICK ON CURB PERIMETER
- FINISH: MILLED ALUMINUM FINISH

**OPTIONS**

- LATCH: ZINC PLATED STEEL PALM LATCH.
- MOUNTING FLANGE: 3.50
- HINGE: ZINC PLATED STEEL TAMPER PROOF HINGE CONTAINED WITHIN HATCH AS PART OF SPRING ASSEMBLY
- SPRING: GASEOUS COMPRESSION SPRINGS ENCLOSED IN THERMOSETTIC TUBES WHICH COUNTER BALANCE THE COVER

**CLEAR OPENING**

WIDTH: 25      LENGTH: 25

WIDTH: 36      LENGTH: 30

PROJECT: \_\_\_\_\_  
 CONTRACTOR: \_\_\_\_\_  
 ARCHITECT: \_\_\_\_\_  
 QUANTITY: \_\_\_\_\_  
 DATE: \_\_\_\_\_  
 APPROVAL: \_\_\_\_\_

GENERAL SHOP DRAWING DO NOT SCALE

THIRD ANGLE PROJECTION			
TOLERANCES UNLESS OTHERWISE SPECIFIED		DECIMAL .XX ± .06 ANGLES X ± .1°	
<b>DIAMENSIONS ARE IN INCHES</b>			
DATE: 11-17-06		DATE: 11-17-06	
DRAWN: RA KLEN		DATE:	
CHK'D:		DATE:	
DO NOT SCALE DRAWING		DO NOT SCALE DRAWING	
 <b>Babcock-Davis</b> <small>Always Right Here</small>		1701 MADISON STREET NORTHEAST, MINNEAPOLIS, MINNESOTA 55413-1400 PHONE (612)706-1386 (888)412-3726 FAX (612)791-8128 (888)317-3726 THIS DRAWING IS THE PROPERTY OF BABCOCK-DAVIS AND IS PREPARED IN CONFIDENCE. THE REPRODUCTION, USE OR DISCLOSURE OF ANY INFORMATION CONTAINED HEREIN IS PROHIBITED WITHOUT THE WRITTEN CONSENT OF BABCOCK-DAVIS	
SCALE	SIZE	DATE	REV
NONE	ROOF HATCH, SINGLE DOME, ALUM POLY, AL DOME, PALM LATCH	11-17-06	1
VIEW	SHEET	SIZE	PART NUMBER
A	8-8	D	BRHA5630-654
APP			