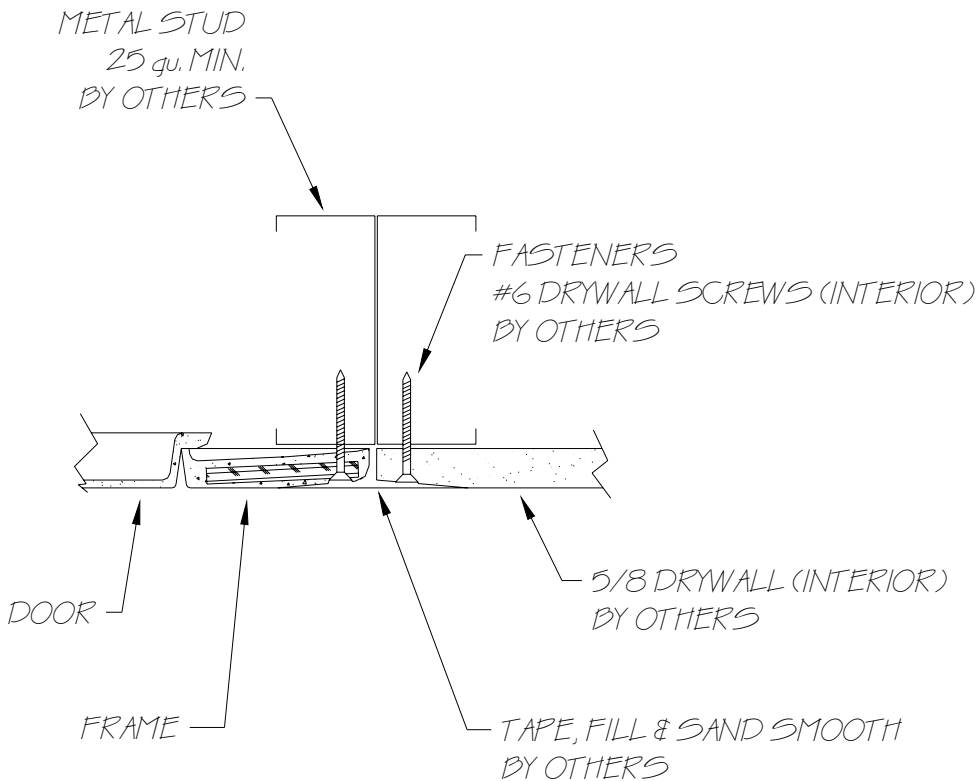
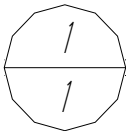


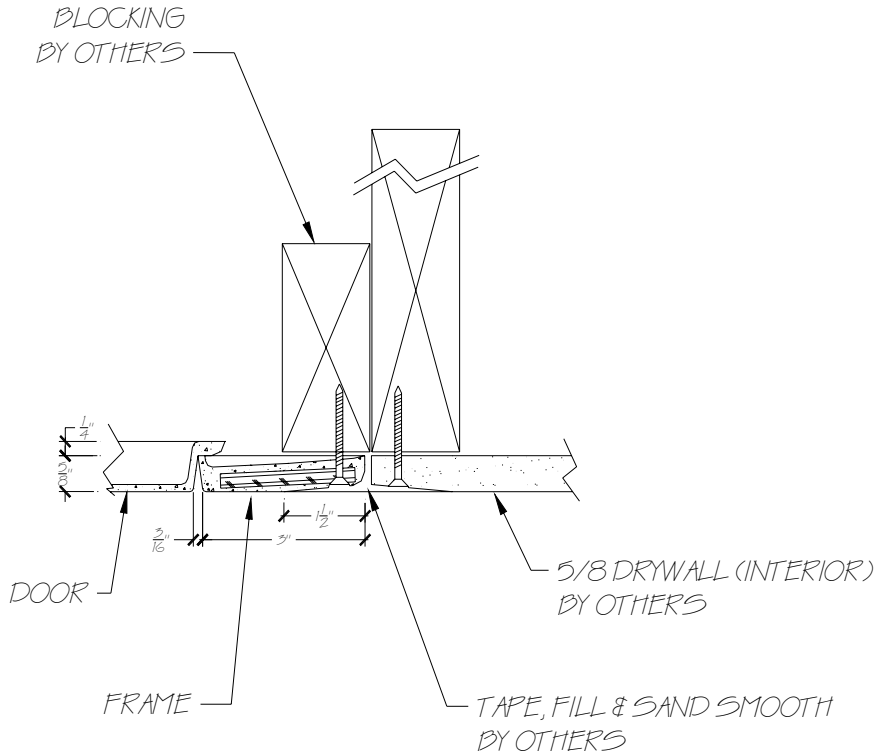
# IntexForms Inc.



# DETAIL ACCESS PANEL

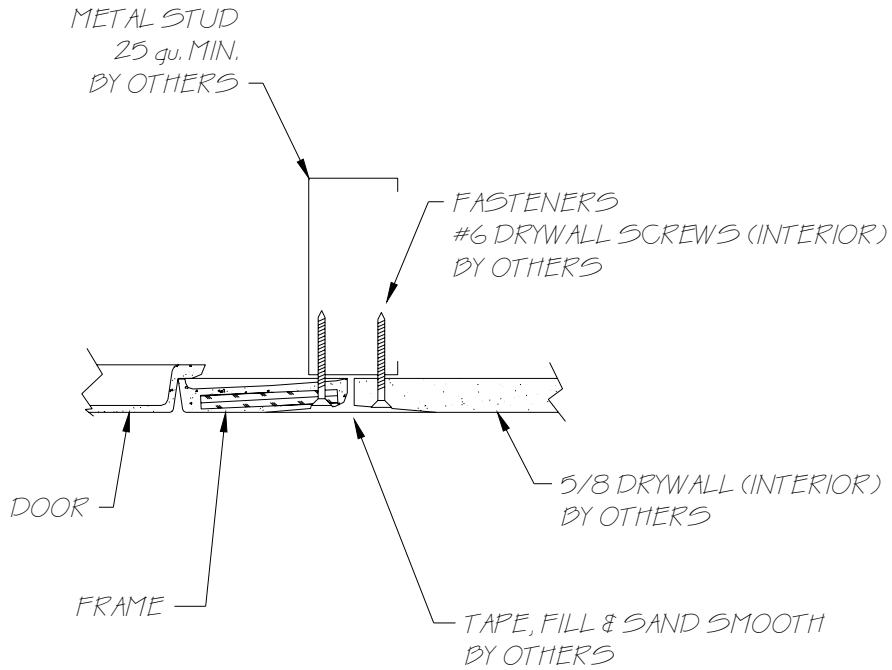


SCALE: NTS



DETAIL  
ACCESS PANEL

1  
1 SCALE: NTS

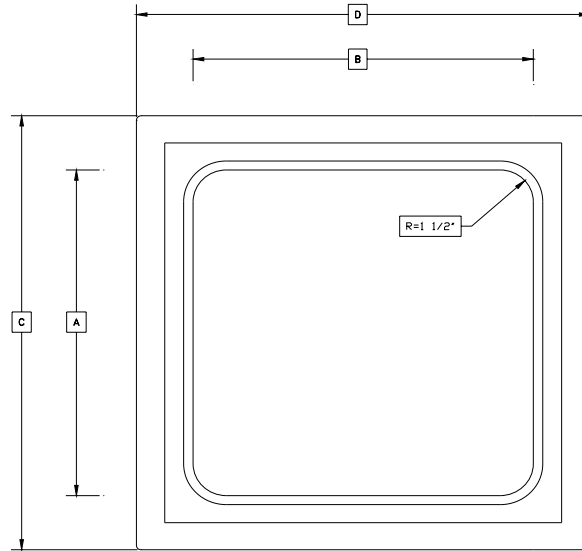


DETAIL  
ACCESS PANEL

---

1  
1 SCALE: NTS

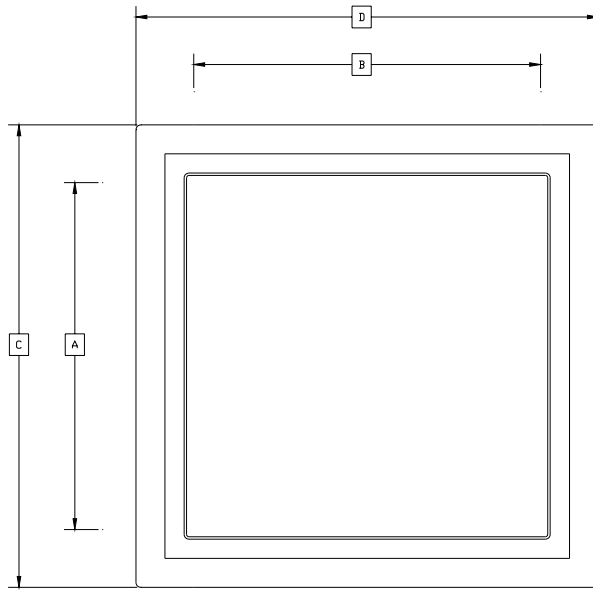
# Lift & Shift Access Panel Radius Door Corners



PART #	DOOR OPENING		ROUGH OPENING		WEIGHT APROX.
	A	B	C	D	
AP6X6	6"	6"	12"	12"	2.5 lbs.
AP9X9	9"	9"	15"	15"	4 lbs.
AP10X10	10"	10"	16"	16"	4.5 lbs.
AP12X12	12"	12"	18"	18"	5.75 lbs.
AP14X14	14"	14"	20"	20"	7 lbs.
AP16X16	16"	16"	22"	22"	8.5 lbs.
AP18X18	18"	18"	24"	24"	10 lbs.
AP24X24	24"	24"	30"	30"	15.5 lbs.
AP30X30	30"	30"	36"	36"	22.5 lbs.
AP36X36	36"	36"	42"	42"	30.75 lbs.
AP42X42	42"	42"	48"	48"	40 lbs.
AP12X36	12"	36"	18"	42"	13.5 lbs.
AP18X24	18"	24"	24"	30"	12.5 lbs.
AP18X36	18"	36"	24"	42"	17.5 lbs.
AP24X30	24"	30"	30"	36"	18.75 lbs.
AP24X36	24"	36"	30"	42"	22 lbs.
AP24X48	24"	48"	30"	54"	28.5 lbs.
AP24X60	24"	60"	30"	66"	34.5 lbs.
AP24X72	24"	72"	30"	78"	40.75 lbs.

**IntexForms Inc.**

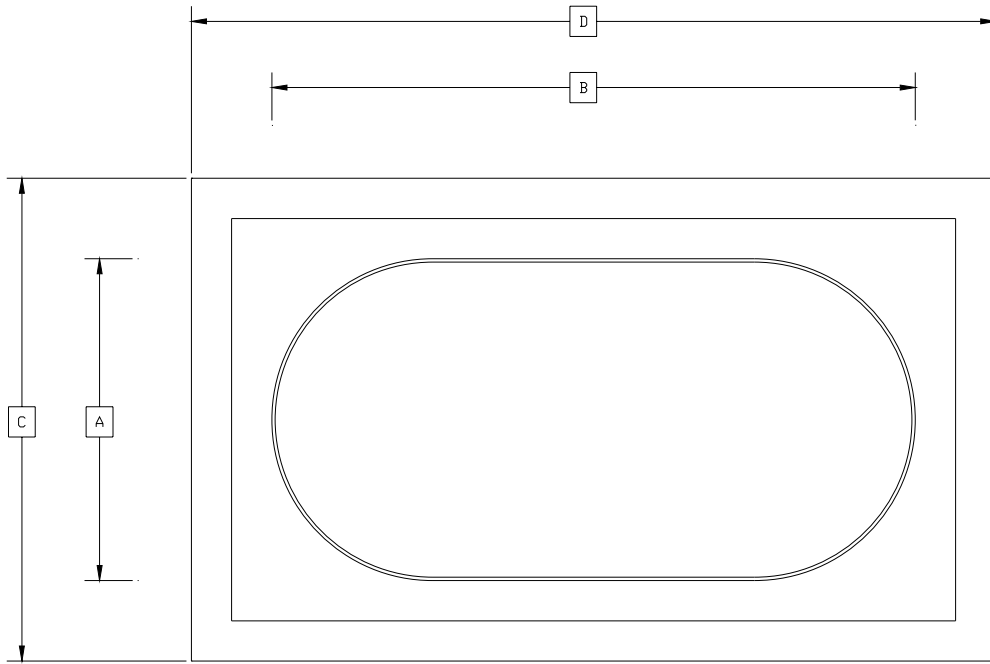
# Lift & Shift Access Panel Square Door Corners



PART #	DOOR OPENING		ROUGH OPENING		WEIGHT APROX.
	A	B	C	D	
APS6X6	6"	6"	12"	12"	2.5 lbs.
APS9X9	9"	9"	15"	15"	4 lbs.
APS10X10	10"	10"	16"	16"	4.5 lbs.
APS12X12	12"	12"	18"	18"	5.75 lbs.
APS14X14	14"	14"	20"	20"	7 lbs.
APS16X16	16"	16"	22"	22"	8.5 lbs.
APS18X18	18"	18"	24"	24"	10 lbs.
APS24X24	24"	24"	30"	30"	15.5 lbs.
APS30X30	30"	30"	36"	36"	22.5 lbs.
APS36X36	36"	36"	42"	42"	30.75 lbs.
APS42X42	42"	42"	48"	48"	40 lbs.
APS12X36	12"	36"	18"	42"	13.5 lbs.
APS18X24	18"	24"	24"	30"	12.5 lbs.
APS18X36	18"	36"	24"	42"	17.5 lbs.
APS24X30	24"	30"	30"	36"	18.75 lbs.
APS24X36	24"	36"	30"	42"	22 lbs.
APS24X48	24"	48"	30"	54"	28.5 lbs.
APS24X60	24"	60"	30"	66"	34.5 lbs.
APS24X72	24"	72"	30"	78"	40.75 lbs.

**IntexForms Inc.**

# Lift & Shift Access Panel Oval Door



PART #	DOOR OPENING		ROUGH OPENING		WEIGHT APROX.
	A	B	C	D	
APO10X20	10"	20"	16"	26"	7.25 lbs.
APO12X24	12"	24"	18"	30"	9.5 lbs.
APO16X32	16"	32"	22"	38"	14.5 lbs.
APO18X36	18"	36"	24"	42"	17.5 lbs.
APO24X48	24"	48"	30"	54"	28.5 lbs.